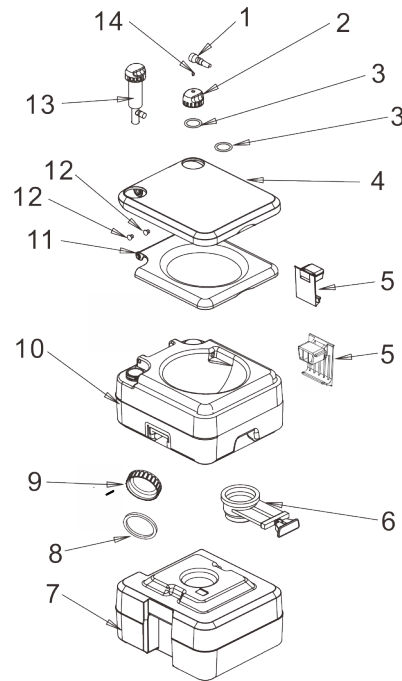


CAUTION

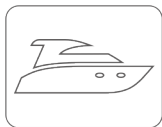
1. Never add the toilet cleaning fluid to the fresh water tank;
2. Make sure you have enough water in the fresh water tank prior to use;
3. Do not lean on the back cover of the toilet whilst upright;
4. Clean the waste holding tank regularly;
5. Avoid long term exposure to direct sunlight;
6. Avoid high temperatures (over 60°C , 140°F);
7. Children should be supervised when using this toilet.

PART LIST

No.	Part Name	Quantity
1	Outlet	1
2	Tank cap	1
3	Gasket	2
4	Tank cover	1
5	Lock buckle	2
6	Slide valve	1
7	Waste holding tank	1
8	Gasket	1
9	Waste holding tank cover	1
10	Fresh water tank	1
11	Seat cover	1
12	Fixed plug	2
13	Piston pump assy	1
14	Core vent assy	1



APPLICATION



Marine



RV



Camping



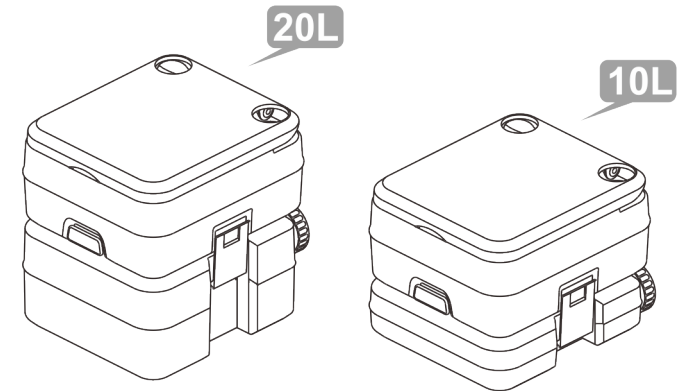
Medical care



Children

SEAFLO®

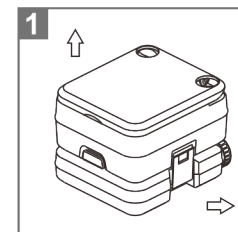
Portable Toilet Owner's Manual



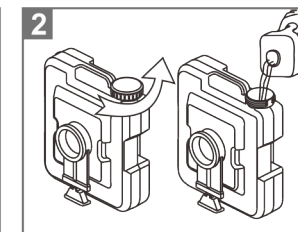
DESCRIPTION

The SEAFLO portable toilet is intended for mobile use, such as camping, boating, caravans, cabins, medical, children, home, emergencies, etc. It has high quality construction and makes it strong and durable. Its lightweight design makes it easy to transport and be placed anywhere.

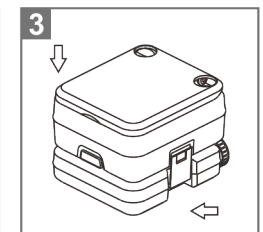
PROCEDURE



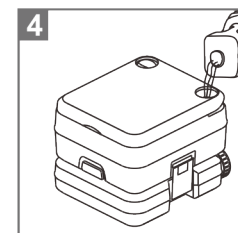
Separate the tanks



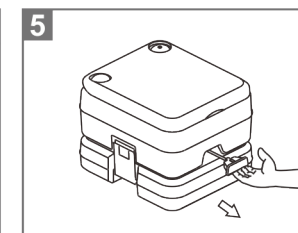
Add deodorant to the waste holding tank



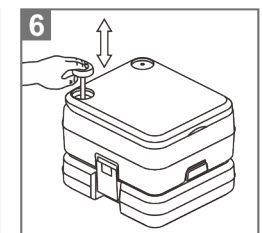
Combine the tanks



Add fresh water to the fresh water tank



Open the slide valve to use



Press the pump to flush the tank

FEATURES

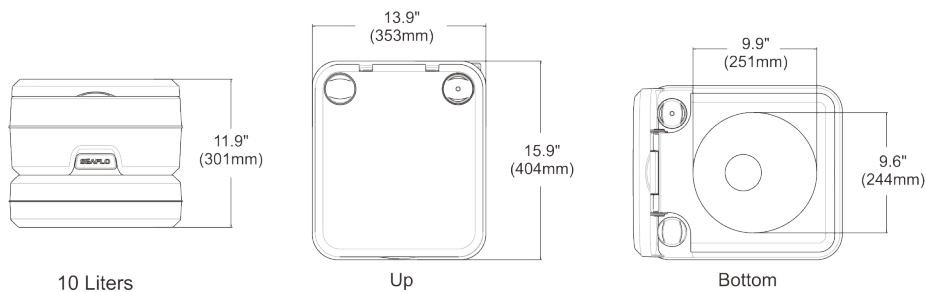
- Light weight and durable
- Brand new and high quality
- Compact design for easy storage and transportation
- Large, comfortable seat, simple to use, easy to maintain
- No external water or power connections required
- Easy to carry, easy to clean

SPECIFICATIONS

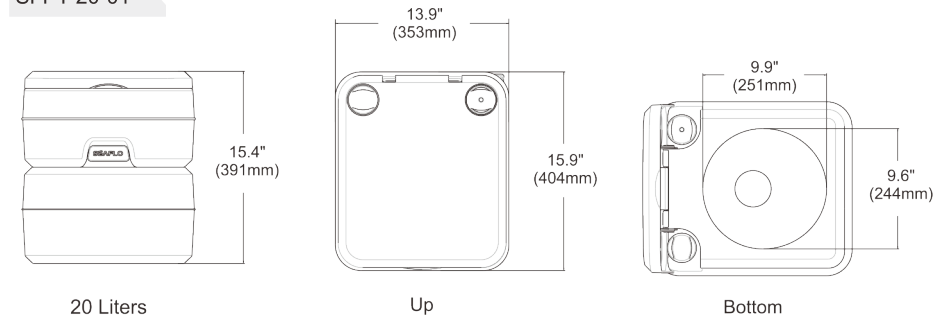
Model Number	SFPT-10-01	SFPT-20-01
Fresh water tank	13L (3.43 Gallon)	13L (3.43 Gallon)
Waste holding tank	10L (2.64 Gallon)	20L (5.28 Gallon)
Dimension (L*W*H) mm	404*353*301	404*353*391
Color	Grey	Grey
Material	PP, PA, HDPE, ABS	PP, PA, HDPE, ABS
Package includes	1 x Portable Toilet, 1 x Owners' Manual	1 x Portable Toilet, 1 x Owners' Manual

DIMENSION

SFPT-10-01



SFPT-20-01



PREPARING

Before use, make sure that the pressure in the waste holding tank is equalised by opening and closing the slide valve with the seat cover closed.

1. Separate tanks (fig.1).
2. Remove pour-out spout cap while it is pointing upward then add appropriate deodorant (fig.2). Replace cap and tighten securely.
3. Combine the tanks and close the slide valve (fig.3).
4. Remove the cap off the fresh water tank and fill it up with appropriate amount of fresh water. Screw the cap on again on the flush water tank (fig.4). NEVER add deodorant to the fresh water tank.

FLUSHING

1. Pull out the slide valve to allow the waste to pass into the waste holding tank (fig.5).
2. Press the pump to flush the portable toilet (fig.6).
3. Close the slide valve.

EMPTYING WASTE HOLDING TANK

1. Do not overfill the tank. Open valve to check visually.
 2. Be sure valve handle is closed. Separate tanks.
 3. Carry waste holding tank to a permanent toilet.
 4. Remove pour-out spout cap while it is pointing upward.
 5. If there is a water supply, flush out the waste holding tank.
- NEVER empty the waste holding tank directly into the environment.

STORAGE

1. Remove all water from tanks, pump assembly before storing.
2. Store the portable toilet in a dry, clean area.