

SEAFLO[®]

Bilge Pump Manual-03 Series



INSTALLATION INSTRUCTION

Follow installation instructions carefully to assure proper operation of your Bilge Pump.

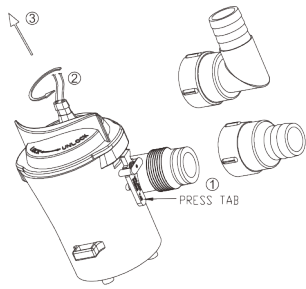
SEAFLO bilge pump improves most pump installations, replacing original way without drilling new holes. The SEAFLO bilge pump snap directly into other brand pump strainer bases.

If you are mounting the SEAFLO strainer base directly to your watercraft, use the stainless steel screws. Mount the Bilge pump at the lowest point in the bilge. Fasten the fuel resistant hose to the pump. Avoid tight bends or loops in the hose. To avoid a possible airlock, prevent the hose from dipping below the top of the pump. The hose should be constantly rising from the pump to the through-hull fitting.

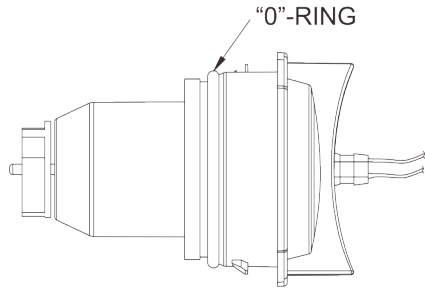
The pump is removable from the strainer base for cleaning. It is a normal maintenance procedure to occasionally remove the pump from the strainer base and remove any debris that has gotten stuck in the strainer base or pump inlet.

To wire the pump, use 18-gauge wire. Connect the black wire to negative (-) or ground. The brown wire connects to positive (+). Install a fuse somewhere between the pump and the battery (Fuse assemble between the positive (+) of the power and the positive of the pump),

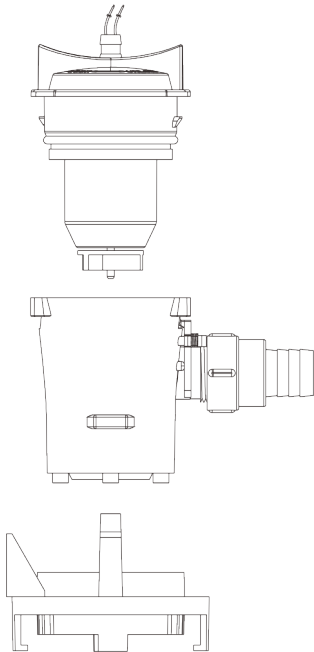
If one is not present. Keep all wire connections above the highest possible water level. Seal connections with a marine sealant to prevent corrosion. The positive wire may connect with a panel switch or a float switch.



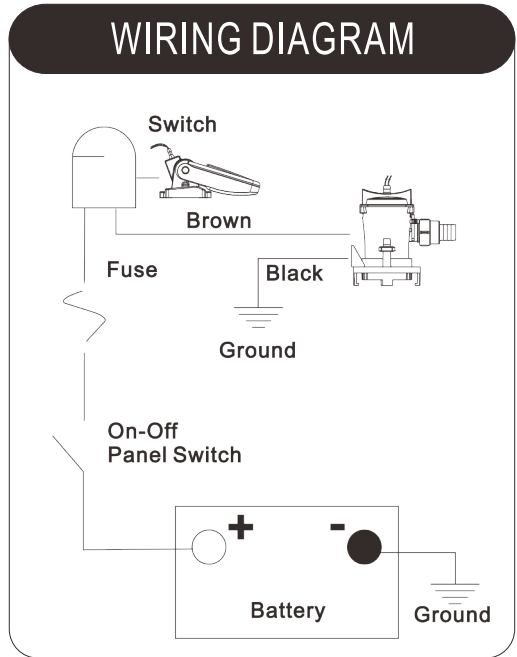
(pic 1)



(pic 2)



WIRING DIAGRAM



For longer pump life, don't run dry.