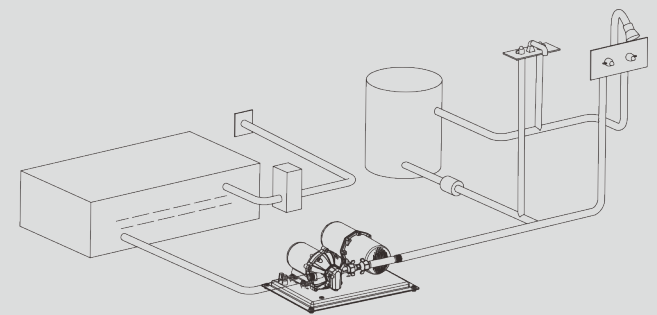


SEAFLO[®]

3.0GPM/5.5GPM Pump with Integrated Accumulator Tank

Installation Manual



FEATURES

- Ideal for up to three/five outlets
- Self-priming to 1.8m
- Run dry without damage
- Simple and low cost installation
- CE, RoHS
- Smoother flow, quieter water system, longer pump life
- Pressure switch cut-in 2.4 bar (35 psi) cut-out 3.1 bar (45 psi). (SFWSK1-030-045-002/SFWSK2-030-045-002)
- Pressure switch cut-in 3.1 bar (45 psi) cut-out 3.8 bar (55 psi). (SFWSK1-030-055-002/SFWSK2-030-050-002)
- Pressure switch cut-in 1.4 bar (20 psi) cut-out 4.2 bar (60 psi). (SFWSK1-055-060-003 NEW/SFWSK2-055-060-003 NEW)

SPECIFICATIONS

Model	Voltage	Tank Volume	Flow (GPM/LPM)	Pressure On (PSI/BAR)	Pressure Off (PSI/BAR)	Max Draw (A)	Ports	Weight	Dimension
SFWSK1-030-045-002	12V	0.75L	3.0/11.3	35/2.4	45/3.1	11.0	1/2" MNPT	3.2 kg	14.57"(370mm) x10.24"(260mm) x5.75"(146mm)
SFWSK2-030-045-002	24V	0.75L	3.0/11.3	35/2.4	45/3.1	5.5	1/2" MNPT	3.2kg	14.57"(370mm) x10.24"(260mm) x5.75"(146mm)
SFWSK1-030-055-002	12V	0.75L	3.0/11.3	45/3.1	55/3.8	7.5	1/2" MNPT	3.3kg	14.57"(370mm) x10.24"(260mm) x5.75"(146mm)
SFWSK2-030-055-002	24V	0.75L	3.0/11.3	45/3.1	55/3.8	4.0	1/2" MNPT	3.3kg	14.57"(370mm) x10.24"(260mm) x5.75"(146mm)
SFWSK1-055-060-003 NEW	12V	1.0L	5.5/20.8	20/1.4	60/4.2	17.0	1/2" MNPT	4.4 kg	14.57"(370mm) x13.74"(349mm) x6.02"(153mm)
SFWSK2-055-060-003 NEW	24V	1.0L	5.5/20.8	20/1.4	60/4.2	9.0	1/2" MNPT	4.4kg	14.57"(370mm) x13.74"(349mm) x6.02"(153mm)

INSTALLATION INSTRUCTIONS

The Pump Accumulator Pressure Boost System should be bolted securely to a flat surface in any suitable location within the vessel where it remains accessible for routine maintenance, taking care not to over compress the mounting feet. The unit should be installed within the pipework system after the water tank and before the pipeline divides to serve the hot water heater or other outlets. Connect the pipe from the water tank to the inlet port on the filter. Connect the outlet pipework to the discharge port on the Accumulator Tank.

OPERATION INSTRUCTIONS

- Check level of water in tank.
- Open faucets hot and cold.
- Switch pump on and wait for a while, close each faucet when flow becomes steady.
Pump should shut off soon after closing last faucet.
- Pump is now ready for automatic operation. It will start when faucet is opened and stop when faucet is closed.
- If pump will be inoperative for a considerable time, turn off circuit to pump and bleed system by opening faucets.
- It is advisable to run the pump for 2 minutes on first installation to flush fresh water through the pump.

CAUTION

1. Motor case will get hot. Prolonged contact during operation may cause a burn.
2. Do not overpressurise tank. Pre-charge pressure of the tank for SFWSK1-030-045-002/SFSK2-030-045-002 is 32 PSI. If adjustments are needed, please keep the pressure range between 30PSI~34PSI. Pre-charge pressure of the tank for SFWSK1-030-055-002/SFWSK2-030-055-002 is 42PSI. Adjustable pressure range is 40PSI~44PSI. For SFWSK1-055-060-003 NEW/SFWSK2-055-060-003 NEW, pre-charge pressure of the tank is 18PSI, adjustable pressure range is 16PSI~20PSI.

WARNING

Explosion hazard. Do not pump gasoline, solvents, thinners or other flammable liquids. To do so can cause an explosion resulting in injury or death.

ACCESSORY

Fitting



51F01

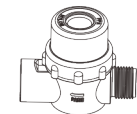


51F03



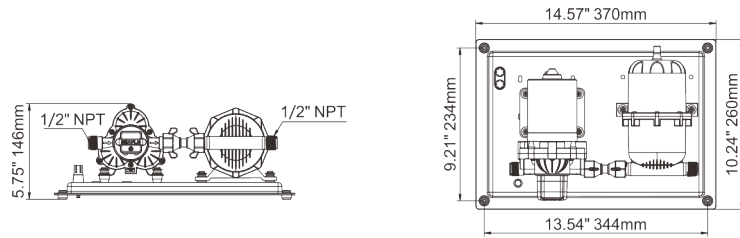
51F10

Filter

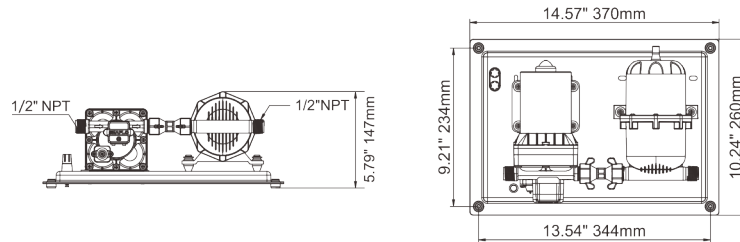


51S01

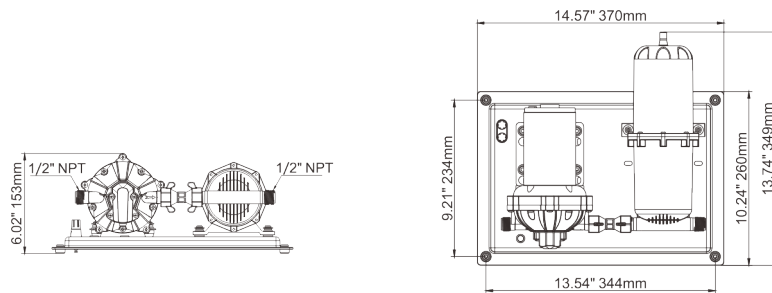
DIMENSION



SFWSK1-030-045-002 , SFWSK2-030-045-002



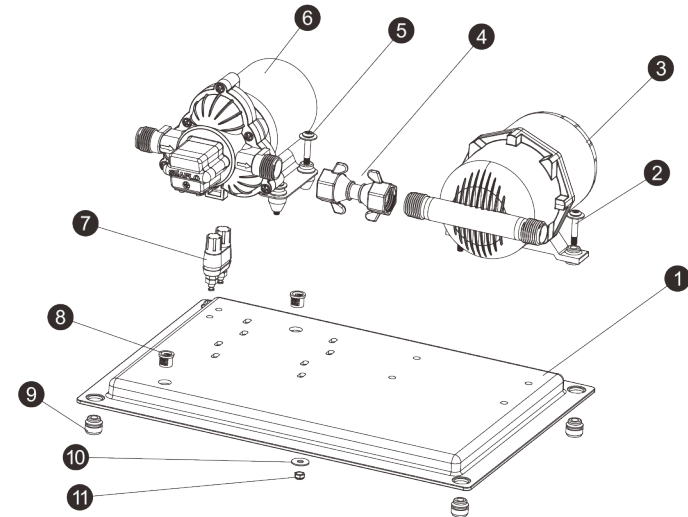
SFWSK1-030-055-002 , SFWSK2-030-055-002



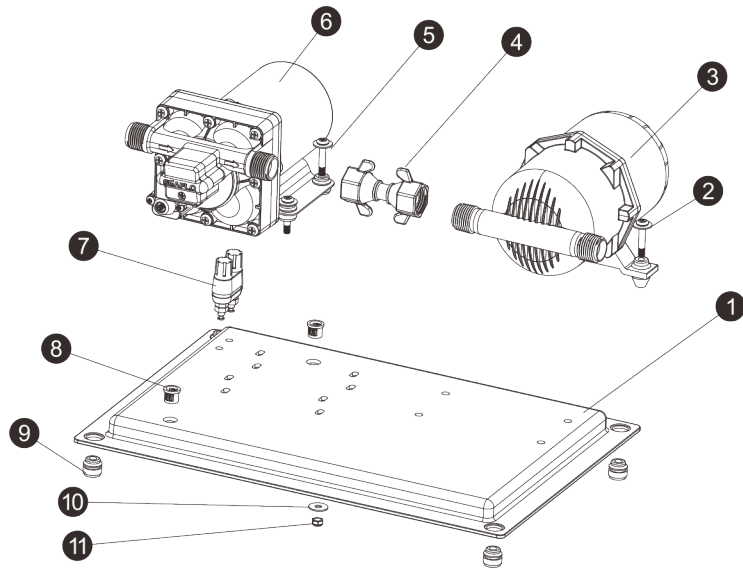
SFWSK1-055-060-003 NEW , SFWSK2-055-060-003 NEW

REPAIR KITS

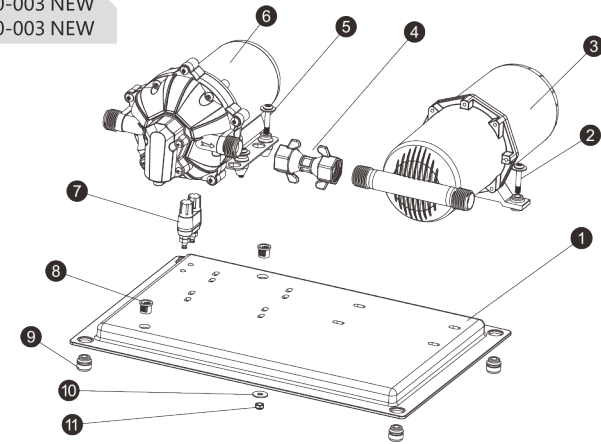
SFWSK1-030-045-002
SFWSK2-030-045-002



Key	Description	Quantity
1	Base	1
2	Screw for Accumulator Tank	2
3	0.75L Accumulator Tank	1
4	51F09 Fitting	1
5	Screw for Pump	4
6	33 Series Diaphragm Pump	1
7	Sealed Copper Terminal	1
8	Button Bushings	2
9	Rubber Feet	4
10	Flat Gasket	12
11	Screw Nut	6



Key	Description	Quantity
1	Base	1
2	Screw for Accumulator Tank	2
3	0.75L Accumulator Tank	1
4	51F09 Fitting	1
5	Screw for Pump	4
6	42 Series Diaphragm Pump	1
7	Sealed Copper Terminal	1
8	Button Bushings	2
9	Rubber Feet	4
10	Flat Gasket	12
11	Screw Nut	6



Key	Description	Quantity
1	Base	1
2	Screw for Accumulator Tank	2
3	1L Accumulator Tank	1
4	51F09 Fitting	1
5	Screw for Pump	4
6	NEW 51 Series Diaphragm Pump	1
7	Sealed Copper Terminal	1
8	Button Bushings	2
9	Rubber Feet	4
10	Flat Gasket	12
11	Screw Nut	6

WIRING DIAGRAM

