

CORRECTIVE MAINTENANCE

- **PULSATING FLOW– PUMP CYCLES ON AND OFF**

Check lines for kinks.

Plumbing lines or fittings may be too small.

Clean faucets and filters.

Check fitting tightness for air leaks.

- **FAILURE TO PRIME BUT MOTOR OPERATES - NO PUMP DISCHARGE**

Restricted intake or discharge line.

Air leak in intake line.

Punctured pump diaphragm.

Initial amp supply is not enough to sufficiently start the motor.

Debris clogged in the valves.

Crack in pump housing.

- **MOTOR FAILS TO TURN ON**

Loose or improper wiring.

Pump circuit has no power.

Failed pressure switch.

Defective motor.

- **PUMP FAILS TO TURN OFF AFTER ALL FIXTURES ARE CLOSED**

Punctured diaphragm.

Discharge line leak.

Defective pressure switch.

Clogged valves in pump head.

- **LOW FLOW AND PRESSURE**

Air leak at pump intake.

Punctured diaphragm.

Insufficient voltage

CAUTION

Please do follow the instruction manual to install the product. Any action outside what is recommended in this manual may bring damage to the pump. Any inappropriate installation or operation that causes the pump damage is not covered by warranty.

SEAFLO®

PORTABLE WASHDOWN PUMP KIT ————— INSTALLATION MANUAL —————

The Portable Washdown Pump Kit is designed for most of the wash down outdoor application. The high performance and easy installation makes it is easier to use, even by a child. The design makes it is unnecessary to carry a tank when you use it.



FEATURE & BENEFIT

- UV-protected Coiled Hose
- Easy to use, store, and carry
- Adjustable nozzle
- Smooth flow
- Quiet Operation
- Intermittent duty cycle

STANDARD CONFIGURATIONS

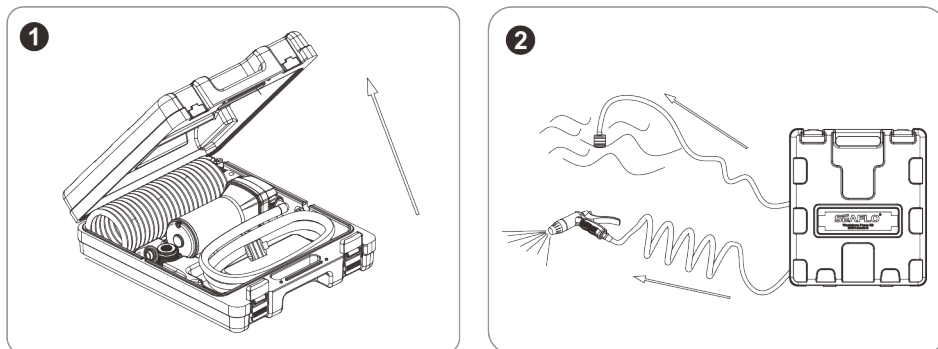
Model	Voltage	Open Flow (GPM/LPM)	Control Type	Max Draw	Shut-off Pressure (PSI/BAR)	Valves	Diaphragm	Ports
SFWP1-045-070-41	12V	4.5 / 17.0	switch & By pass	17.0 A	70 / 4.8	EPDM	Santoprene	QUICK ATTACH

INSTALLATION

Setup

1. Do not apply inlet pressure in excess of 30 psi. In general, try to avoid any inlet with pressure.
2. Strainer should be installed at the inlet side.
3. Connect the positive lead (red) to the positive terminal of a battery and the negative wire (black) to the negative terminal of a battery.
5. Please check the wire chart when you install the pump to ensure the correct wire sizing for the length of wire is to be used.
6. After installation, please check the voltage of the pump and choose the right battery. Full voltage must be available when the pump is under use.

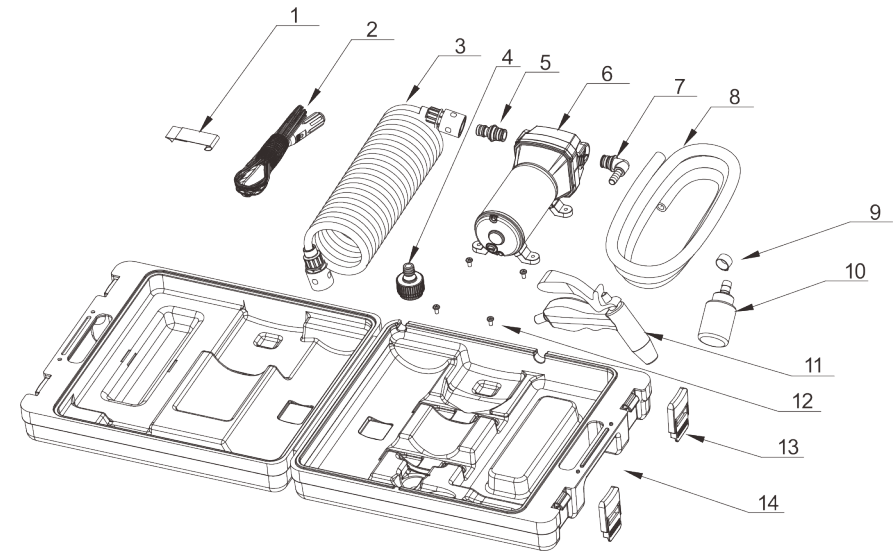
Installation Diagram



ELECTRICAL INFORMATION

Ft.(M)	AWG(MM ²)
0-20(0-6)	14 AWG
20-30(6-9)	12 AWG
30-65(9-19)	10 AWG
65-100(19-30)	8 AWG

REPAIR KITS



Key	Description	Key	Description
1	Velcro	8	Hose
2	Car Cigarette Charger	9	Clamp
3	Hose Coil 51H02	10	Strainer
4	Connector	11	Spray Nozzle
5	Connector 41F008	12	Screw
6	Pump	13	Buckle
7	Connector 41F007	14	Tool Case