

# SEAFLO<sup>®</sup>

## Battery Isolator Switch

### INSTALLATION MANUAL



**SFBIS2-01**



**SFBIS1-01**

## FEATURES

- The SEAFLO Battery Isolator Switch has two positions.
- The ON /OFF is controlled via a special key.
- This key can be taken out and carried away with you. It is impossible to turn on the power without the key. So it has excellent safeguard function. It is applied to DC power. Rugged housing.
- Terminal with 3/8" brass and two copper cable gaskets.

## FUNCTION

- ON: Connect the equipment and the power  
OFF: Disconnect the equipment and the power

## WIRING

The cable should be sized in accordance with the engine manufacturer's recommendations. Wire sizes and the terminals must accord with the relevant electrical standards. Fasten the cables in position with a suitable cable clamp not more than 6" from the switch. Be sure all connections are securely tightened and no stress or twists in the wiring.

## MOUNTING

The switch should be mounted on a flat surface in a clean dry area. Switch should be located as close to (with 40") the batteries as possible and must be mounted in the positive position of the main power.

## OPERATING

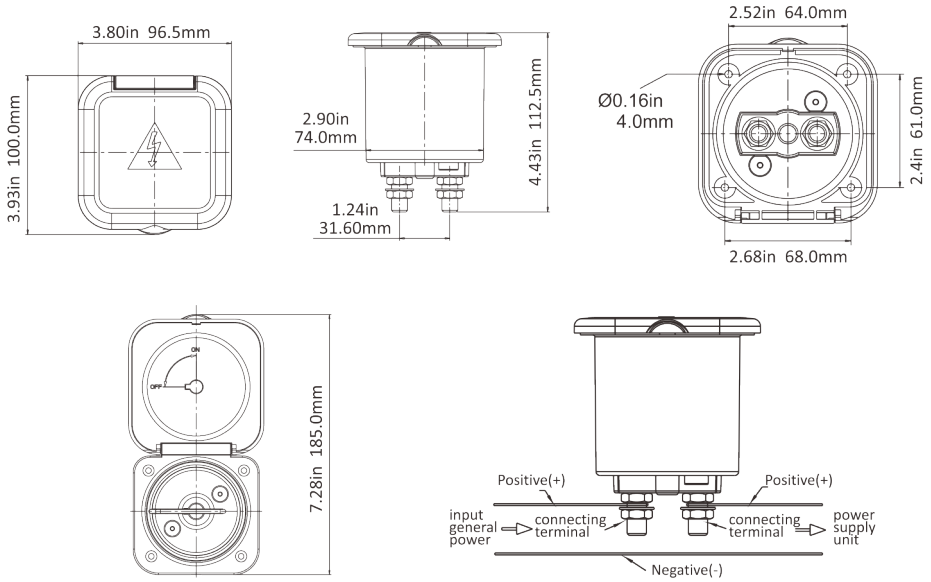
- Insert the key to the hole of the switch inside, and then rotate the key to the position as required.
- Move to "OFF": disconnect the equipment and the main power supply.
- Move to "ON": connect the equipment and the main power supply.

## NOTICE

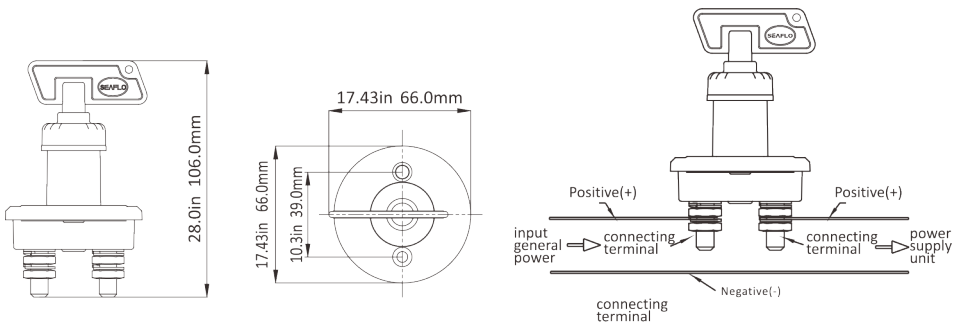
After turn off the power, please take out the key from the battery switch and take away it with you. It can guard against theft. Do not turn the switch off when the engine is running.

Stop engine before switching to off position.

## DIMENSIONS & WIRING DIAGRAMS



### SFBIS1-01



### SFBIS2-01