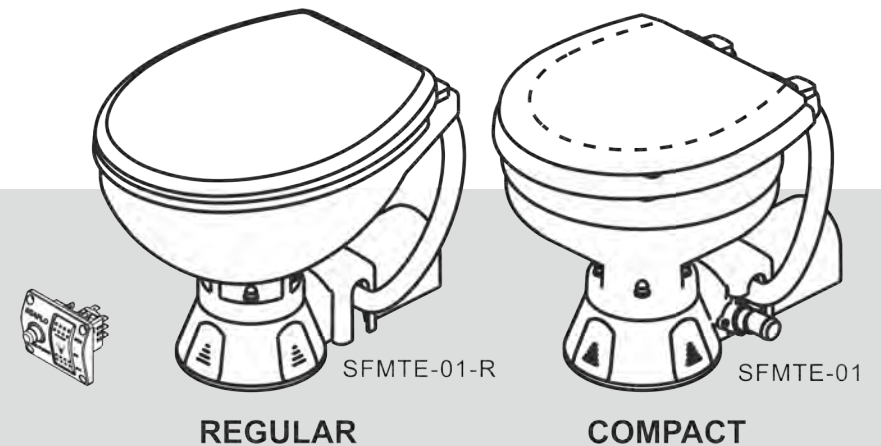


SEAFLO[®]

ELECTRIC MARINE TOILET Push Button Operation



A dual-function pump eliminates the need for hand pumps and dry-bowl valves. With the push of a button, the self-priming flush pump rinses the bowl as the Macerator and high-capacity scavenger pump grind up waste and pump it out. Includes a heavy-duty push button and 1" to 1 ½" discharge hose adapter. Easy-to-clean china bowl.

FEATURES

- Both pump & bowl are interchangeable with JABSCO
- All spare parts can be ordered individually
- Convenient push-button flush
- Easy-to-clean ceramic
- Includes heavy-duty push button and 1"-1 1/2" discharge hose adapter
- Flexible Impeller flush pump
- Permanent Magnet type motor, fully enclosed, with stainless steel shaft
- Built-in back flow preventer
- All corrosion resistant material for marine use

Model	SFMTTE1-01	SFMTTE2-01	SFMTTE1-01-R	SFMTTE2-01-R
Type:	Electric			
Control Type:	Switch Panel			
Max Draw:	20A at 12V	10A at 24V	20A at 12V	10A at 24V
Size:	Compact		Regular	
Diameter:	3/4" Inlet 1" Discharge			
Material:	Ceramic bowl, wood seat with baked enamel finish		Ceramic bowl, soft close seat	
Dimension: (L * W * H)	413.7 * 330.0 * 350.0mm 16.29" * 13.00" * 13.78"		492.0 * 335.8 * 360.7mm 19.37" * 14.01" * 14.20"	

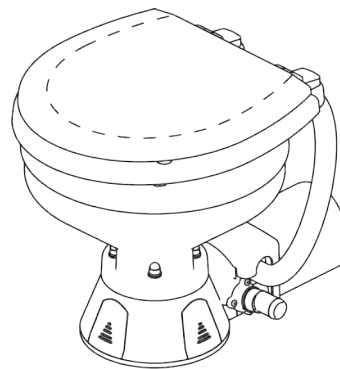
INSTALLATION

The SEAFLO electric toilet may be installed above or below the waterline. Flush pump is self-priming with a vertical lift up to 4 feet; discharge macerator pump can operate against a vertical head up to 4 feet.

Inlet and outlet seacocks should be easily accessible and be positive shut off valves. If seacocks cannot be conveniently operated from toilet location, install suitable shut off valves for inlet and discharge connections.

Base assembly may be moved 90° to accommodate connections and provide accessibility for servicing.

Surface where toilet is mounted should be flat to prevent distortion of toilet base.




PLUMBING CONNECTIONS

Connect inlet hose using either 5/8" or 3/4" ID hose (a sleeve is included to adapt pump inlet from 5/8" to 3/4"). Make sure all inlet connections are airtight and free of sharp bends or restrictions.

Connect 1" or 1-1/2" hose to discharge port and make suitable connection to holding tank or other discharge system. Avoid sharp bends or restrictions.

For above waterline installations, a check valve may have to be installed in the flush water intake line to ensure rapid pump priming. To retain water in bowl, make a loop in the discharge line about 8 inches above base of bowl.

⚠ WARNING



Flood hazard. Close inlet and outlet seacocks prior to disassembling toilet. Failure to do so can result in flooding which can cause loss of property and life.

⚠ CAUTION Do not connect the toilet to the vessels potable water for its source of supply. To do so can result in contamination of potable water supply. If fresh water is preferred for flushing, provide a separate fresh water tank to supply water to the toilet only.

DO NOT CONNECT INLET HOSE TO A PRESSURIZED WATER SYSTEM.

If the toilet is, or can be, below waterline at any normal (including static) attitude of vessel heel and/or trim, a 3/4" Vented Loop Fitting must be installed in the length of hose connecting the flushing pump to the inlet seacock. The Vented Loop Fitting must be positioned so it remains slightly* above the waterline at all angles of heel and trim.

In some installations when a vented loop is installed in the intake hose, the flushing pump permeability and flow characteristics are reduced and may adversely affect toilet function. To restore pump performance, connect a solenoid valve to the vent air inlet to interrupt the air supply during the flush cycle. The brass port of the solenoid valve (remove plastic filter if attached) should be connected to the vent inlet with 3/16" hose and the solenoid wired in parallel with the toilet motor.

* Recommended minimum height above waterline is 6".

ELECTRICAL CONNECTIONS

Select a location for the switch and instruction plate, making sure wire leads from both the toilet and power source can be routed to the switch. Ensure the panel where installing switch is no more than 1" thick. Drill a 5/8" mounting hole and install switch and instruction plate. Use stranded copper wire of the correct size (determined from the electrical specifications chart) to connect one side of the switch to the positive power source. An appropriate size fuse or equivalent circuit breaker (determined from electrical specifications chart) must be installed in the positive power lead within seven inches of the power source. Connect the other side of the switch to the orange (positive) motor lead. Connect the black (negative) motor lead to the negative side of the battery or grounded buss bar.

NOTICE

Correct motor polarity (Red to positive, black to negative) is important. Reverse polarity can damage motor and void warranty. Full voltage at the motor is required to properly operate the Electric Toilet. The toilet must be wired in a circuit independent of all other accessories.

ELECTRICAL SPECIFICATIONS

VOLTAGE	AMP DRAW	FUSE SIZE	WIRE SIZE PER FEET OF RUN				
			0'-10'	10'-15'	15'-25'	25'-40'	40'-60'
12	20	20	#12	#10	#10	#8	#6
24	10	15	#16	#14	#12	#10	#10

* Length of run is total distance from power source to product and back to ground.

OPERATING INSTRUCTIONS

Make sure inlet and outlet seacocks are all open; push button to operate. Operate until bowl is completely flushed and discharge pump has scavenged water from bottom of bowl.

The SEAFLO electric marine toilet will provide 1 years of trouble free service if properly used. It will handle waste and toilet tissue. It will NOT handle rags, sanitary napkins or hard solid objects.

If bowl does not pump out and begins to fill, partially close inlet valve until bowl is cleared and completely pumped out. Then operate for a few seconds with both valves open to clear entire toilet and discharge system. For maximum safety, when toilet is not in use or vessel is unattended, close both the inlet and discharge seacocks.

To drain for winter lay-up, close inlet valve and operate for a few seconds until all water is pumped out.

After long periods of non-use, toilet and pump may dry out. To ease initial start-up, put about one quart of water in bowl and let stand awhile before initial use.



WARNING
Flood hazard. Close inlet and outlet seacocks prior to disassembling toilet. Failure to do so can result in flooding which can cause loss of property and life.

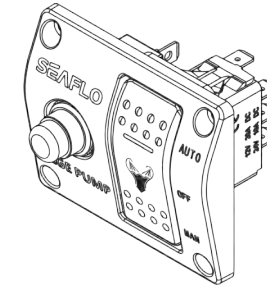
ASSEMBLY

Press seal into body with lip facing impeller; be careful not to cock seal in bore. Install pump body on motor and position on register. Lubricate impeller bore with pump grease and install impeller. Position the gasket against the body and install the wear plate ensuring the two plastic sealing washers are under the heads of the top and bottom screws.

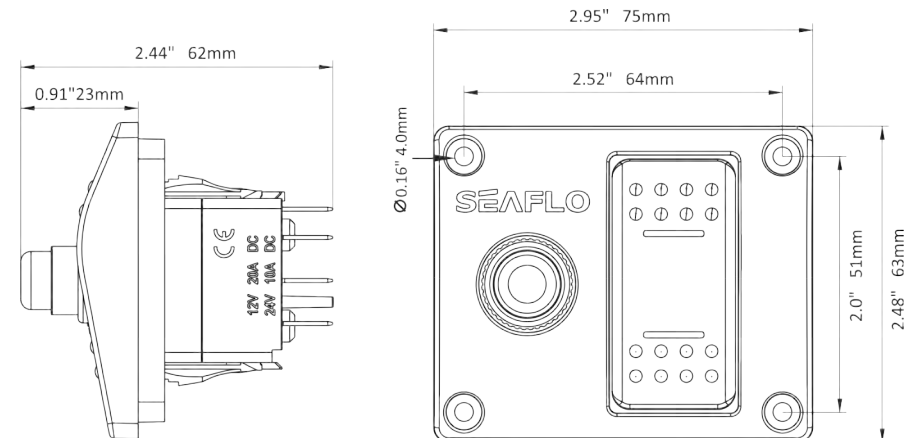
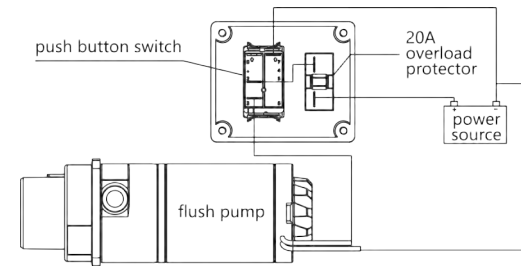
NOTE: The current plastic wear plate supersedes the earlier brass wear plate and with it the stainless steel wear plate is no longer used. Slide the rubber sealing sleeve on the motor shaft and push it into its recess in the wear plate. Relocate centrifugal impeller on shaft, about 1/8" from the wear plate, and tighten set screw. Place macerator housing over shaft and centrifugal impeller, put lock washer on end of shaft and screw chopper plate on shaft and tighten. Install O-ring in O-ring groove in wear plate surface, a little grease will help hold in place, make sure inside body surfaces are clean, line up slot in base with key on macerator housing, slide pump assembly into base and tighten with the four screws. Turn motor on for one or two seconds to be sure centrifugal impeller is free.

NOTES:

- 20A at 12V & 10A at 24V push button switch, Auto with green light, Man with red light.
- 15A power for overload protector.
- ABS panel + antflaming.



NOTE: Do not put anything in the toilet unless you have eaten it first, except toilet paper. Do not put in: Sanitary Towels, Wet Strength Tissues, objects, Petrol, Diesel, Oil, Solvents of any kind or water more than hand hot.

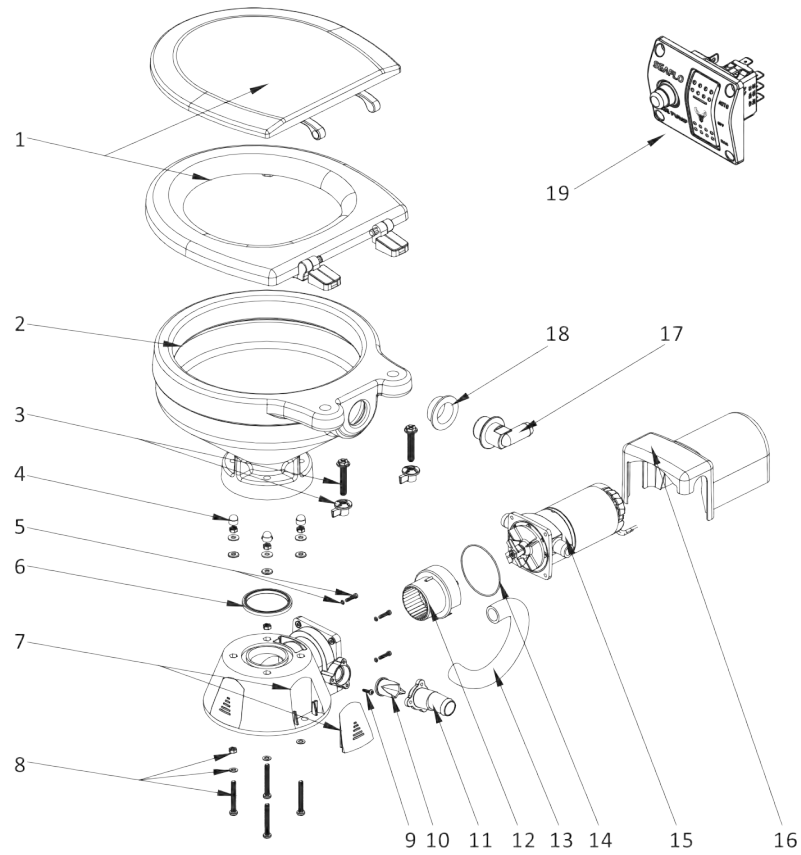


DISASSEMBLY

Disconnect pumping inlet and discharge hoses. Remove four screws, Key No. 5, pull out complete motor, pump and macerator assembly. If assembly does not slide out easily, push forward and pull back sharply several times to free macerator housing from base.

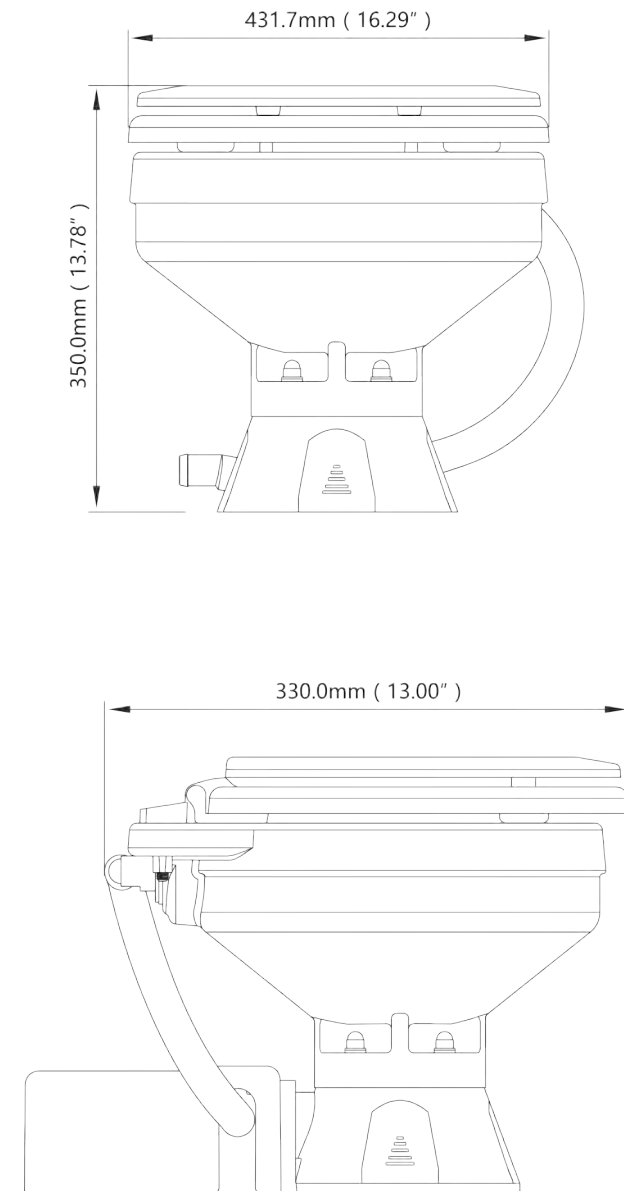
COMPACT (SFMTE-01)

EXPLODED VIEW



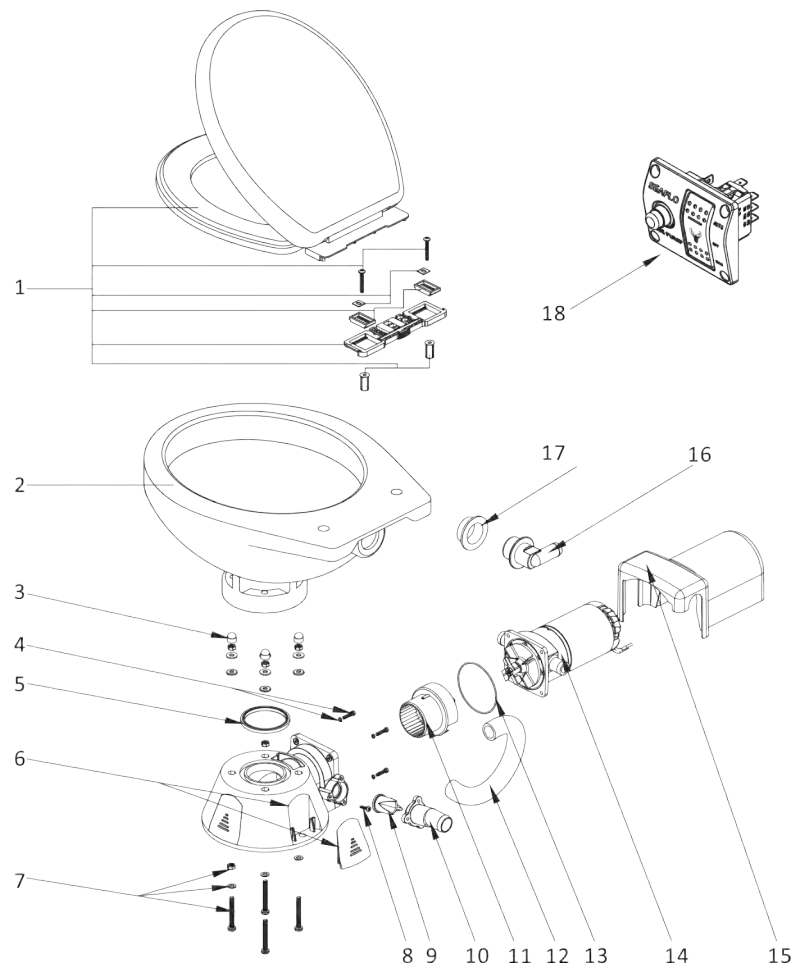
1	Cover assembly	8	Bolt assembly	15	Motor assembly
2	Ceramic seat	9	Tapping screw	16	Motor cover
3	Plastic screw assembly	10	Sewage rubber parts	17	Inlet elbow
4	Screw cap	11	Discharge port	18	Inlet seal
5	Tooth screw	12	Macerator housing	19	push button switch
6	Seal	13	Water pipe		
7	Base	14	Motor seal		

DIMENSIONAL DRAWING



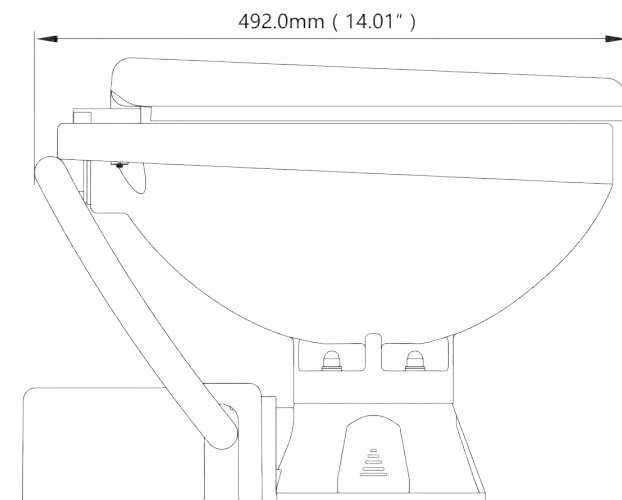
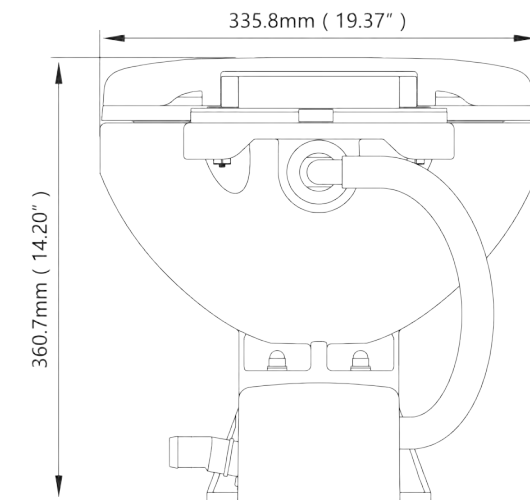
REGULAR (SFMTE-01-R)

EXPLODED VIEW



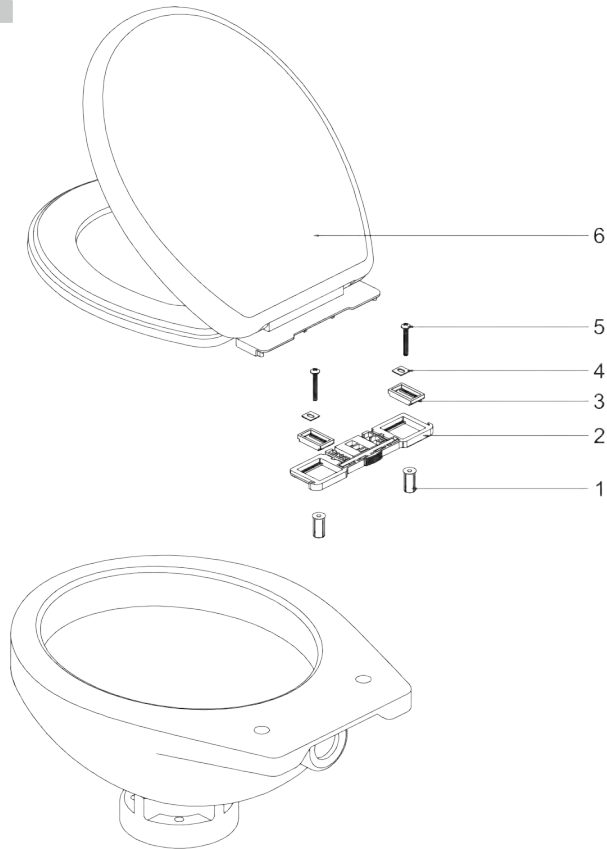
1	Cover assembly	7	Bolt assembly	13	Motor seal
2	Ceramic seat	8	Tapping screw	14	Motor assembly
3	Screw cap	9	Sewage rubber parts	15	Motor cover
4	Tooth screw	10	Discharge port	16	Inlet elbow
5	Seal	11	Macerator housing	17	Inlet seal
6	Base	12	Water pipe	18	push button switch

DIMENSIONAL DRAWING



REGULAR TOILET LID INSTALLATION

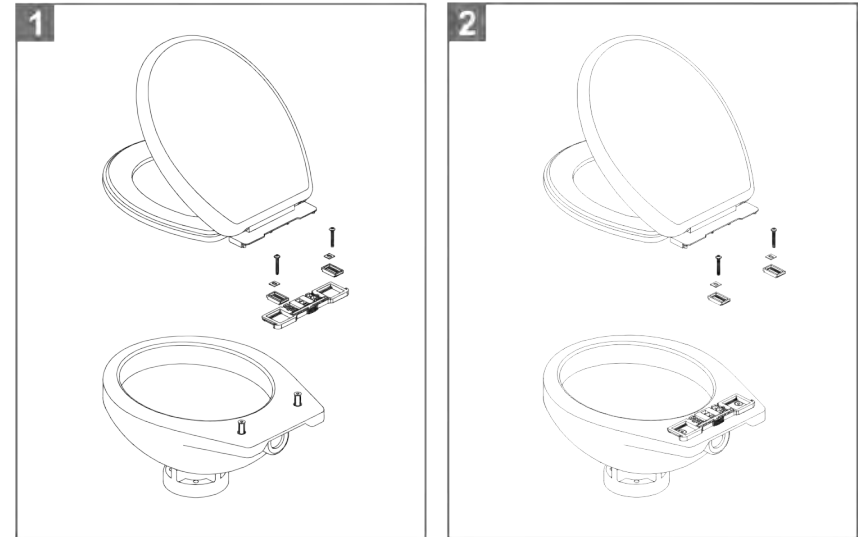
PART LIST



No.	Part Name	Quantity
1	Tension Nut	2
2	Base	1
3	Install Base	2
4	Plate	2
5	Bolt	2
6	Toilet Lid Assembly	1

INSTALLATION PROCEDURE

1. Place the tightening nut 1 in the mounting hole of the ceramic basin.
2. Place the base 2 above the mounting hole of the ceramic basin.



3. Install the mounting base 3 and the gasket 4 into the mounting groove of the base 2, lock the bolt 5 and the tension nut 1 to fix the base 2 on the ceramic basin.
4. Push the cover plate group 6 into the installation base 2 in the direction of the arrow, push the latch 2-1 on the base 2 to fix the cover plate on the ceramic base 2.

