

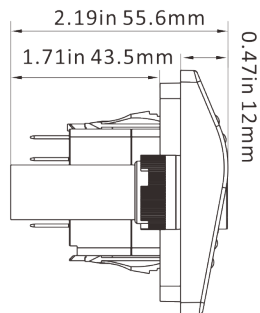
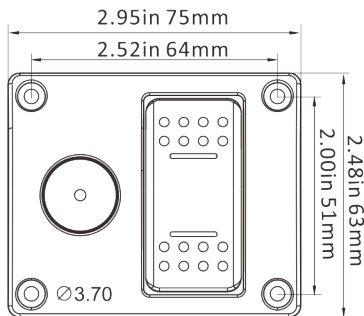
# SEAFLO®

## Alarm Switch Panel Instruction Manual

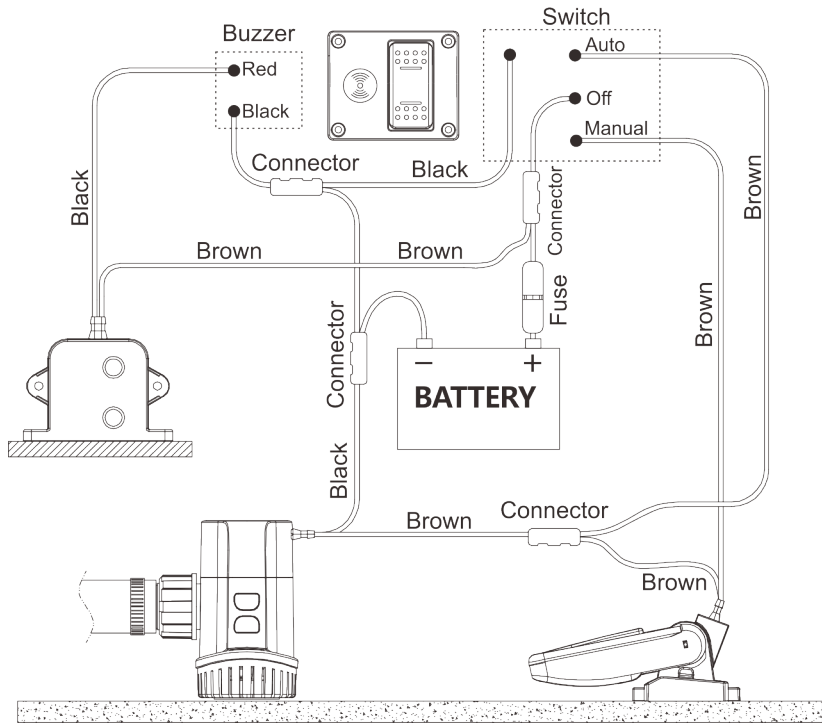
SFASP1-01  
SFASP2-01



### DIMENSION DRAWING



## WIRING



## STANDARD CONFIGURATIONS

Model Number	Voltage	Current	Alarm volume	N.W.	Wire Gauge Size /length
SFASP1-01	12V DC	20 Amps. Max	≥85DB	0.2KG	16AWG/100mm
SFASP2-01	24V DC	10 Amps. Max	≥85DB	0.2KG	16AWG/100mm

## ⚠ WARNING

1. Keep all wire connections above water level. Wires must be joined with butt connectors and a marine grade sealant to prevent wire corrosion.
2. Install red wires to positive terminal only and black to negative terminal only.
3. Disconnect power from the system before working on the unit to avoid personal injury, damage to the surrounding environment and/or damage to the unit.
4. Max working draw: 20A at 12V, 10A at 24V.