

SEAFLO[®]

High Water Bilge Alarm

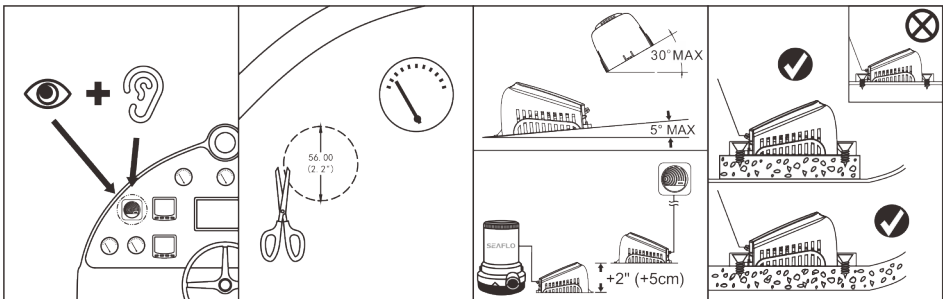
Instruction Manual



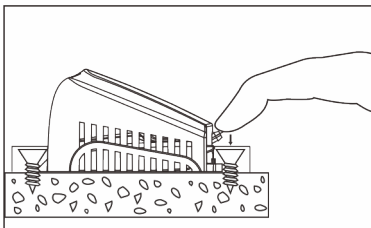
SFWAS1-20-02
SFWAS2-10-02

CAUTION

Disconnect power from the system before working on the unit to avoid personal injury, damage to the surrounding environment and/or damage to the unit.



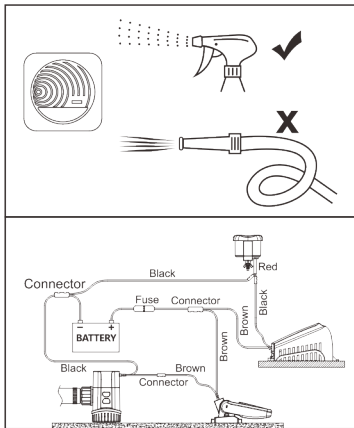
TESTING THE FLOAT SWITCH




CAUTION

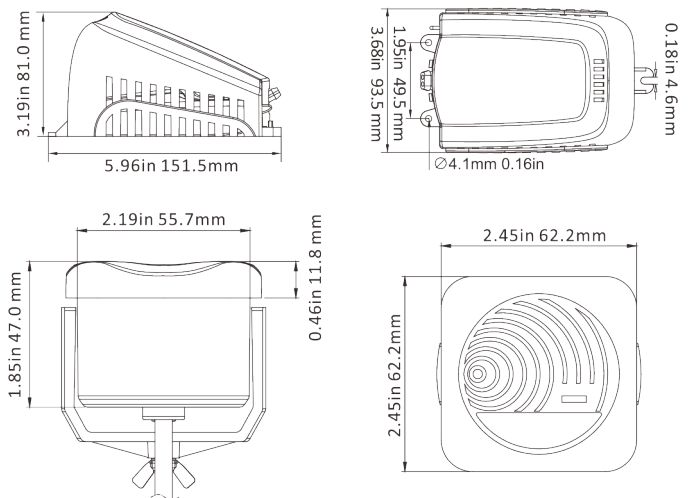


Always install proper fuse size to prevent damage to product should a short occur. Failure to install proper fuse could increase risk of pump malfunction potentially resulting in personal injury and/or fire hazard.



CAUTION
 Keep all wire connections above the highest water level. Wires must be joined with butt connectors and a marine grade sealant to prevent wire corrosion.

DIMENSION DRAWING



STANDARD PUMP CONFIGURATIONS

Model Number	Voltage	Current	Alarm volume	N.W.	Wire Gauge Size /length
SFWAS1-20-02	12V DC	20 Amps. Max	≥95DB	0.3KG	16AWG/1000mm (Switch)
SFWAS2-10-02	24V DC	10 Amps. Max	≥95DB	0.3KG	28AWG/150mm (Alarm)